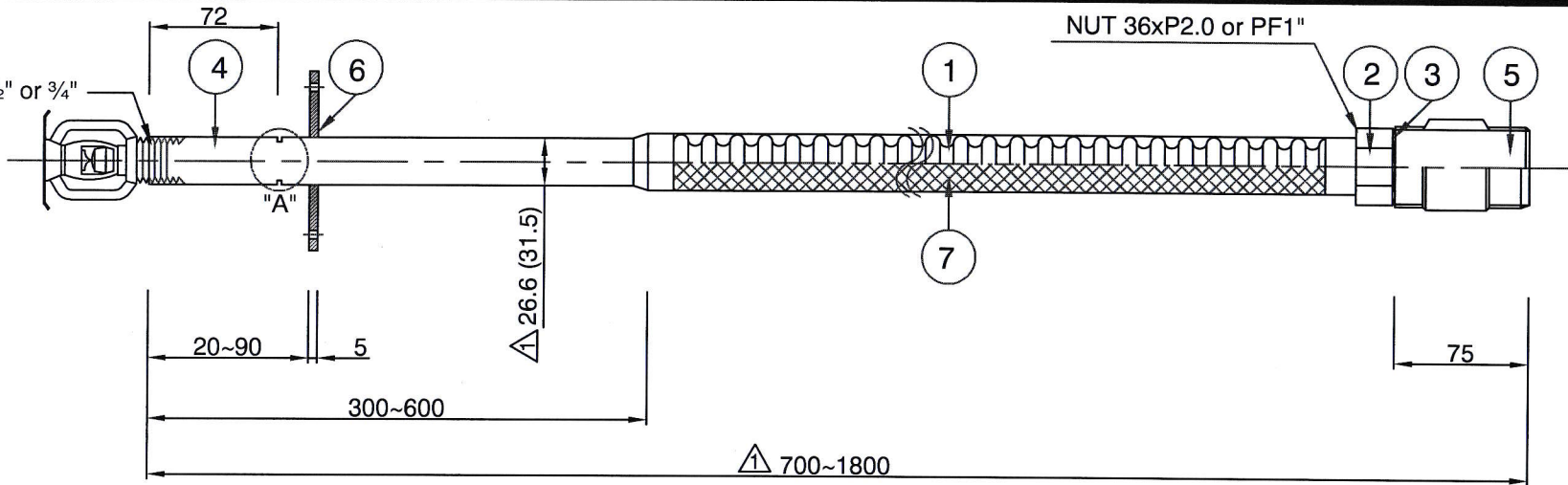
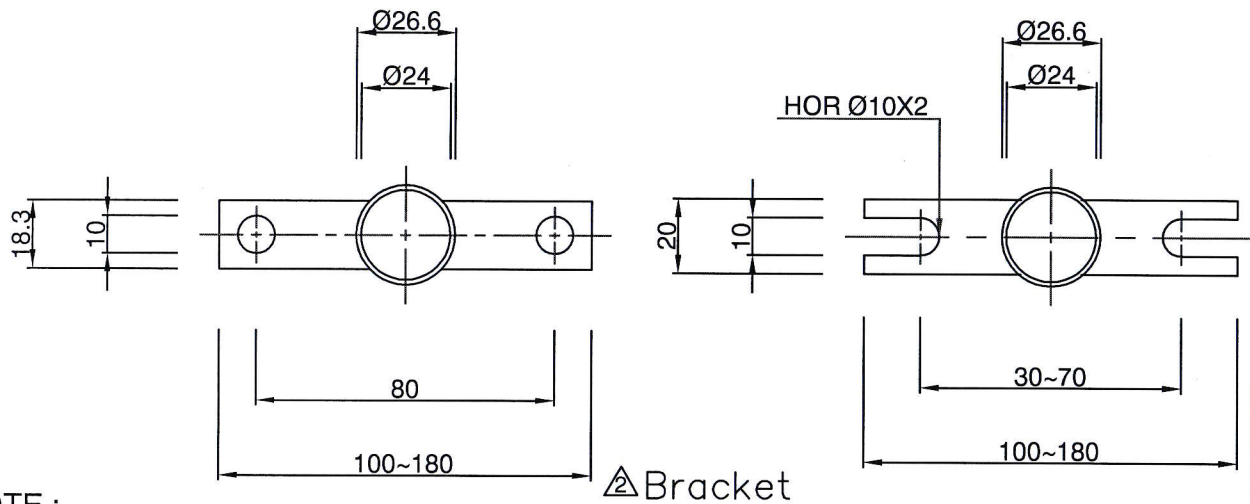


(FM) (X) (X) (X) (X)

△ NPT or PT 1/2" or 3/4"



MODEL : YB28 III - 700~1800



DETAIL - "A"

O-Ring

NOTE :

1. Use for Cleanroom ceilings Model YB28 III. (Two Piece Style : One Slip Nut)

△ 2. OLD DWG : SPRINKLER FLEX(R.B SPRINKLER JOINT) YW-DA-016

△	02.Nov.17	Added Bracket	S.J.K	S.J.Beak	表	YONG WON E.N.C., LTD				
△	10.Aug.17	DWG NO.& Length Changed Added Reducer Size 3/4"	H.J.Y	表	表					
NO	DATE	DESCRIPTION	DRAWN	CHECKED	APP'D	SCALE	DATE	DRAWN	CHECKED	APP'D
						NONE	16.Aug.04	H.J.Y	表	表

7	Braid Wire	STS 304	Ø0.3	
6	Bracket	STS 304		1
5	Nipple	STS 304		1
4	Reducer	STS 304		1
3	O-Ring	SILICONE RUBBER		1
2	Slip Nut	STS 304		1
1	Flexible Tube	STS 304	0.3t	1
NO	PART NAME	MATERIAL	SPECIFICATION	Q'TY

DWG NAME	Sprinkler Flex Assembly For Mold Bar Type III	REV.
DWG NO.	YW-MBBS-32A-A01(YB28 III)	△