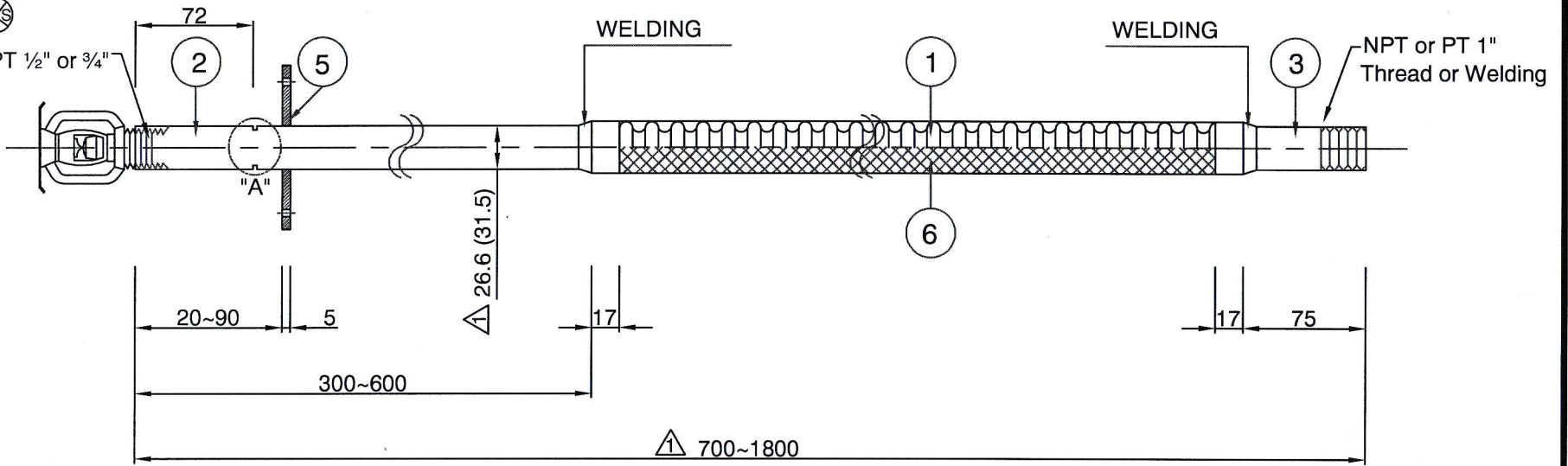
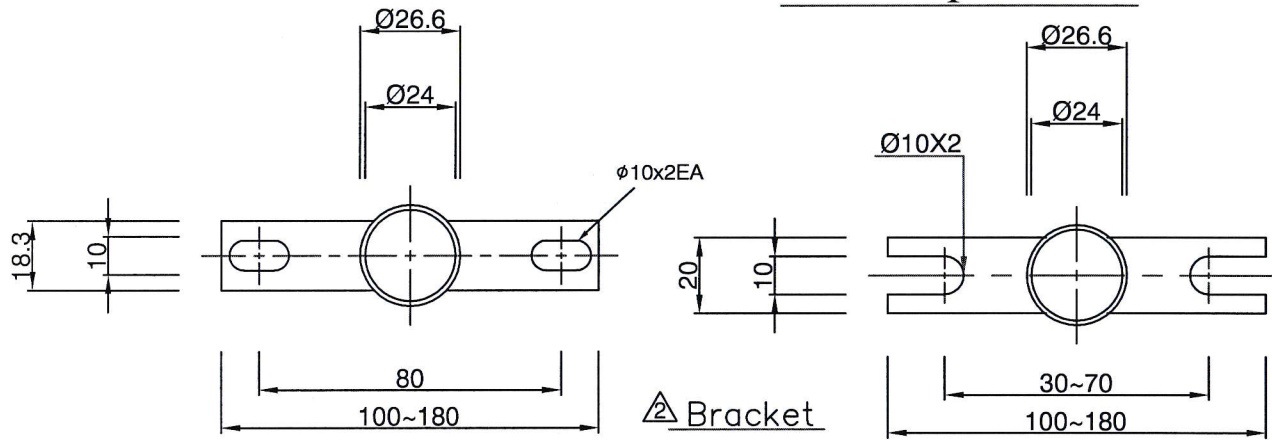


FM ~~PI~~ ~~PS~~ ~~PL~~ ~~VS~~

△ NPT or PT 1/2" or 3/4"



Model : YB28 I -700 ~1800



DETAIL - "A"

O-Ring

NOTE :

1. Use for Cleanroom ceilings Model YB28 I (One Piece style : Welded)
- △ 2. OLD DWG : SPRINKLER FLEX(R.B SPRINKLER JOINT) YW-DA-014

6	Braid Wire	STS 304	Ø0.3	
5	Bracket	STS 304	5t	1
4	O-Ring	NBR or SILICONE	2.5t	2
3	Nipple	STS 304	3.2t	1
2	Reducer	STS 304	4t	1
1	Flexible Tube	STS 304	0.3t	1
NO	PART NAME	MATERIAL	SPECIFICATION	Q'TY

YONG WON E.N.C., LTD

NO	DATE	DESCRIPTION	DRAWN	CHECKED	APP'D
△	02.Nov.17	Added Bracket.	S.K.G	S.J.Beak	
△	10.Aug.17	DWG NO. & Length Changed Added Reducer Size 3/4"	H.J.Y		
REVISION					

SCALE	DATE	DRAWN	CHECKED	APP'D
NONE	04.May.04	H.J.Y		

DWG NAME	Sprinkler Flex Assembly For Mold Bar Type I	REV.
DWG NO.	YW-MBBW-32A-A01(YB28 I)	△